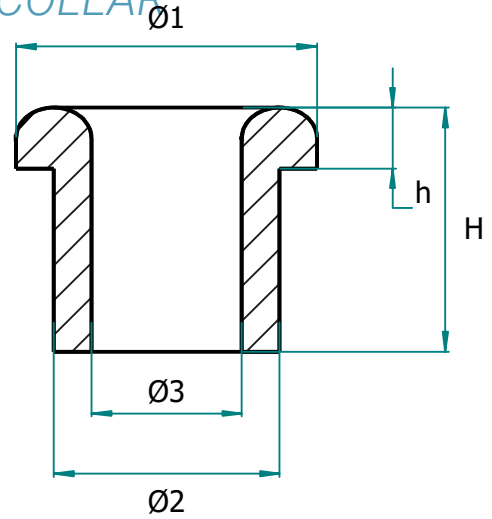




TÜLLEN  
GROMMETS



## KABELDURCHFÜHRUNG MIT EINSEITIGEM BUND CABLE GROMMETS WITH ONE-SIDED COLLAR



Artikel Nr. <i>Part no.</i>	Gesamt Ø <i>Total Ø</i>	Loch Ø <i>Hole Ø</i>	Kabel Ø <i>Cable Ø</i>	Bundhöhe <i>Collar height</i>	Gesamthöhe <i>Total height</i>	Material <i>Material</i>	
	Ø1	Ø2	Ø3	h	H		
1041	13,7	10,0	5,8	4,0	12,0	EB	
1087	14,0	10,0	6,0	4,0	10,0	EB	

**Information:**

EB = EPDM, schwarz

Toleranzen nach (DIN ISO 3302, Teil 2 M2F)  
Irrtum vorbehalten

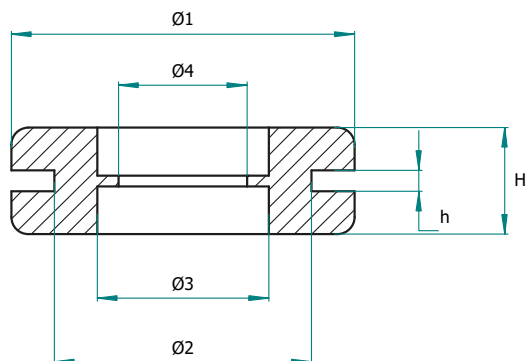
**Information:**

EB = EPDM, black

General measuring tolerances (DIN ISO 3302, section 2 M2F)  
Errors excepted



# KABELDURCHFÜHRUNG MIT INNENLIEGENDER DICHTLIPPE CABLE GROMMET WITH INSIDE SEALING LIP



Artikel Nr. <i>Part no.</i>	Gesamt Ø <i>Total Ø</i>	Loch Ø <i>Hole Ø</i>	Ø3 <i>Ø3</i>	Ø4 <i>Ø4</i>	Spalt <i>Gap</i>	Gesamthöhe <i>Total height</i>	Material <i>Material</i>	
	Ø1	Ø2	Ø3	Ø4	h	H		
1047	8,0	6,0	3,8	2,5	2,0	4,2	EB	
1088	12,0	9,8	6,8	6,0	1,0	8,1	EB	
1093	16,0	11,0	8,8	6,3	2,0	10,2	EB	
1065	19,0	15,0	10,7	7,7	1,7	8,1	EB	
1096	20,0	16,5	13,2	10,4	2,0	10,0	EB	
1094	30,0	20,0	18,0	14,0	2,3	10,3	EB	
1095	35,0	28,0	24,0	20,0	2,0	10,0	EB	

**Information:**

EB = EPDM, schwarz

Toleranzen nach (DIN ISO 3302, Teil 2 M2F)  
Irrtum vorbehalten

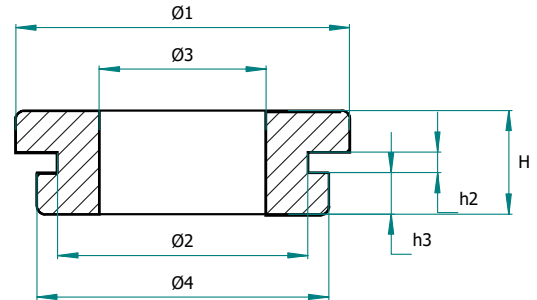
**Information:**

EB = EPDM, black

General measuring tolerances (DIN ISO 3302, section 2 M2F)  
Errors excepted



## KABELDURCHFÜHRUNGEN MIT ASYMMETRISCHEM BUND CABLE GROMMETS WITH ASYMMETRIC COLLAR



Artikel Nr. Part no.	Gesamt Ø Total Ø	Loch Ø Hole Ø	Kabel Ø Cable Ø	Ø4 Ø4	Gesamthöhe Total height	Spalt Gap		Material Material	
	Ø1	Ø2	Ø3	Ø4	H	h2	h3		
1000	6,0	4,0	1,6	-	5,0	1,5	1,8	EB	
0990	7,0	4,0	2,0	6,2	4,0	1,0	1,2	EB	
1019	12,0	6,0	4,0	9,0	6,0	1,5	2,0	EB	
1058	16,7	10,0	6,0	13,7	10,0	1,6	4,2	EB	
1036	17,0	11,8	10,0	-	7,0	2,0	2,0	EB	

**Information:**

EB = EPDM, schwarz

Toleranzen nach (DIN ISO 3302, Teil 2 M2F)  
Irrtum vorbehalten

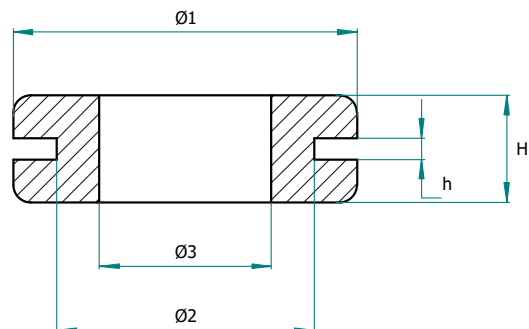
**Information:**

EB = EPDM, black

General measuring tolerances (DIN ISO 3302, section 2 M2F)  
Errors excepted



## KABELDURCHFÜHRUNGEN MIT RADIUS CABLE GROMMETS WITH RADIUS



Artikel Nr. Part no.	Gesamt Ø Total Ø	Loch Ø Hole Ø	Kabel Ø Cable Ø	Spalt Gap	Gesamthöhe Total height	Material Material	
	Ø1	Ø2	Ø3	h	H		
0999	5,8	4,0	1,0	1,5	5,2	EB	
1031	7,7	5,0	2,0	2,0	5,2	EB	
1078	7,7	5,0	3,0	1,0	4,4	EB	
1001	7,8	5,0	3,0	1,4	5,0	EB	
1009	9,0	6,0	4,5	1,0	4,0	EB	
1051	9,3	6,2	4,0	3,0	6,0	EB	
1021	9,5	6,5	4,5	1,2	6,0	EB	

**Information:**

EB = EPDM, schwarz

Toleranzen nach (DIN ISO 3302, Teil 2 M2F)  
Irrtum vorbehalten

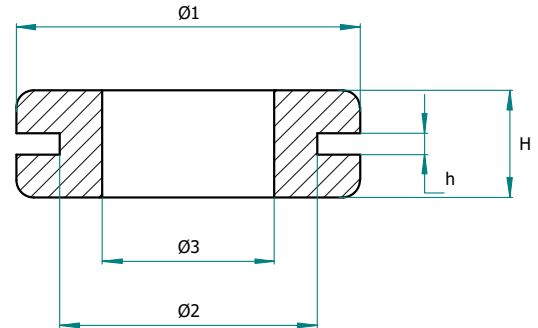
**Information:**

EB = EPDM, black

General measuring tolerances (DIN ISO 3302, section 2 M2F)  
Errors excepted



## KABELDURCHFÜHRUNGEN MIT RADIUS CABLE GROMMETS WITH RADIUS



Artikel Nr. Part no.	Gesamt Ø Total Ø	Loch Ø Hole Ø	Kabel Ø Cable Ø	Spalt Gap	Gesamthöhe Total height	Material Material	
	Ø1	Ø2	Ø3	h	H		
1006	10,1	7,0	3,0	1,5	5,8	EB	
1072	10,5	7,8	5,8	4,1	7,0	EB	
1023	10,8	8,0	5,4	1,1	4,3	EB	
1024	11,0	7,0	4,4	2,0	7,0	EB	
1082	11,2	8,0	6,0	1,0	6,2	EB	
1037	12,0	8,4	5,8	2,5	8,8	EB	
1079	12,0	9,0	4,5	1,0	5,2	EB	

**Information:**

EB = EPDM, schwarz

Toleranzen nach (DIN ISO 3302, Teil 2 M2F)  
Irrtum vorbehalten

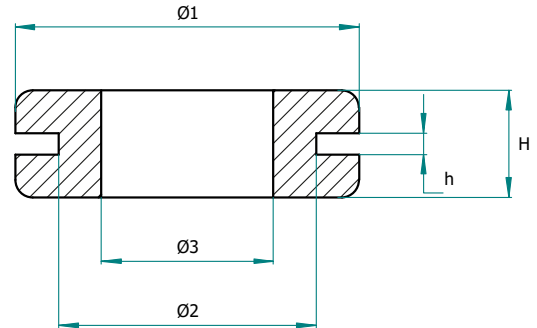
**Information:**

EB = EPDM, black

General measuring tolerances (DIN ISO 3302, section 2 M2F)  
Errors excepted



## KABELDURCHFÜHRUNGEN MIT RADIUS CABLE GROMMETS WITH RADIUS



Artikel Nr. <i>Part no.</i>	Gesamt Ø <i>Total Ø</i>	Loch Ø <i>Hole Ø</i>	Kabel Ø <i>Cable Ø</i>	Spalt <i>Gap</i>	Gesamthöhe <i>Total height</i>	Material <i>Material</i>	
	Ø1	Ø2	Ø3	h	H		
1054	12,2	9,3	5,8	1,5	7,0	EB	
1010	12,5	10,0	5,5	2,0	8,5	EB	
1014	12,7	10,0	6,0	2,1	8,0	EB	
1016	13,0	10,0	7,0	1,5	7,3	EB	
1013	14,0	10,0	6,8	4,5	10,3	EB	
1053	14,3	9,8	8,0	2,0	7,8	EB	
1083	15,0	11,7	8,0	2,0	7,0	EB	

**Information:**

EB = EPDM, schwarz

Toleranzen nach (DIN ISO 3302, Teil 2 M2F)  
Irrtum vorbehalten

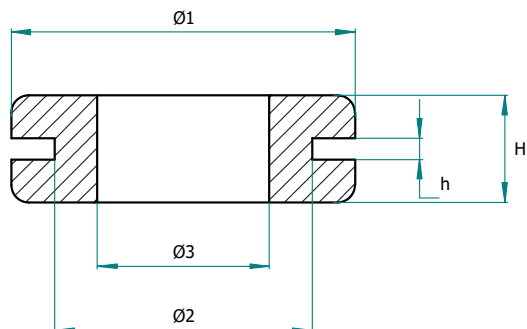
**Information:**

EB = EPDM, black

General measuring tolerances (DIN ISO 3302, section 2 M2F)  
Errors excepted



## KABELDURCHFÜHRUNGEN MIT RADIUS CABLE GROMMETS WITH RADIUS



Artikel Nr. <i>Part no.</i>	Gesamt Ø <i>Total Ø</i>	Loch Ø <i>Hole Ø</i>	Kabel Ø <i>Cable Ø</i>	Spalt <i>Gap</i>	Gesamthöhe <i>Total height</i>	Material <i>Material</i>	
	Ø1	Ø2	Ø3	h	H		
1012	15,5	9,5	5,5	0,8	5,0	EB	
1015	16,0	12,0	6,8	1,5	8,0	EB	
1067	17,2	13,0	9,5	1,5	8,0	EB	
1040	24,8	18,7	11,7	1,3	7,5	EB	
1026	29,0	24,0	15,0	2,2	10,2	EB	

**Information:**

EB = EPDM, schwarz

Toleranzen nach (DIN ISO 3302, Teil 2 M2F)  
Irrtum vorbehalten

**Information:**

EB = EPDM, black

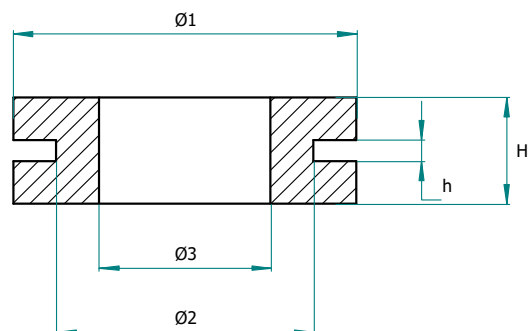
General measuring tolerances (DIN ISO 3302, section 2 M2F)  
Errors excepted





# KABELDURCHFÜHRUNGEN OHNE RADIUS

## CABLE GROMMETS WITHOUT RADIUS



Artikel Nr. <i>Part no.</i>	Gesamt Ø <i>Total Ø</i>	Loch Ø <i>Hole Ø</i>	Kabel Ø <i>Cable Ø</i>	Spalt <i>Gap</i>	Gesamthöhe <i>Total height</i>	Material <i>Material</i>	
	Ø1	Ø2	Ø3	h	H		
1084	5,0	3,7	2,5	1,2	4,0	EB	
0980	6,0	4,0	2,7	1,0	4,0	EB	
1063	6,0	4,3	1,6	0,5	3,0	EB	
1080	6,0	4,3	2,5	0,6	3,0	EB	
1064	9,0	6,0	3,6	1,0	5,0	EB	
1076	9,0	6,0	3,8	1,5	7,5	EB	
1056	9,0	6,0	4,0	2,0	6,2	EB	

**Information:**

EB = EPDM, schwarz

Toleranzen nach (DIN ISO 3302, Teil 2 M2F)  
Irrtum vorbehalten

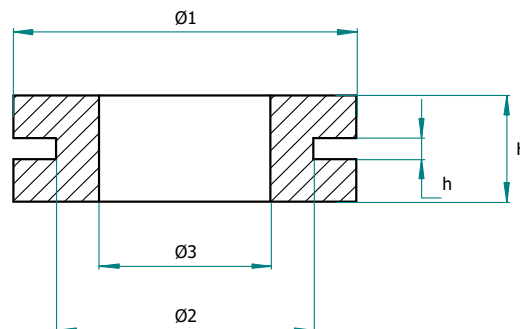
**Information:**

EB = EPDM, black

General measuring tolerances (DIN ISO 3302, section 2 M2F)  
Errors excepted



## KABELDURCHFÜHRUNGEN OHNE RADIUS CABLE GROMMETS WITHOUT RADIUS



Artikel Nr. <i>Part no.</i>	Gesamt Ø <i>Total Ø</i>	Loch Ø <i>Hole Ø</i>	Kabel Ø <i>Cable Ø</i>	Spalt <i>Gap</i>	Gesamthöhe <i>Total height</i>	Material <i>Material</i>	
	Ø1	Ø2	Ø3	h	H		
1081	9,5	7,5	4,9	2,0	5,5	EB	
1073	10,8	8,0	3,9	1,6	7,0	EB	
1007	11,0	7,0	4,5	3,0	6,5	EB	
1075	13,0	10,0	6,0	2,2	5,5	EB	
1038	15,0	10,0	6,0	2,0	6,5	EB	
1017	16,2	11,6	8,2	1,5	7,0	EB	

**Information:**

EB = EPDM, schwarz

Toleranzen nach (DIN ISO 3302, Teil 2 M2F)  
Irrtum vorbehalten

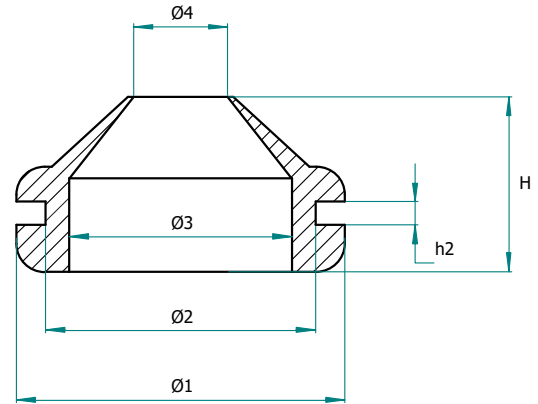
**Information:**

EB = EPDM, black

General measuring tolerances (DIN ISO 3302, section 2 M2F)  
Errors excepted



## KABELDURCHFÜHRUNGEN SONDERFORMEN CABLE GROMMETS SPECIAL FORM



Artikel Nr. <i>Part no.</i>	Gesamt Ø <i>Total Ø</i>	Loch Ø <i>Hole Ø</i>	Innen Ø <i>Inner Ø</i>	Ø4 <i>Ø4</i>	Gesamthöhe <i>Total height</i>	Spalt <i>Gap</i>	Material <i>Material</i>	
	Ø1	Ø2	Ø3	Ø4	H	h2		
1020	19,7	15,0	11,6	6,5	10,0	2,0	EB	
1029 <sup>1)</sup>	24,5	19,0	14,5	9,0	14,5	2,5	EB	
1030	24,5	19,8	14,5	8,8	14,5	3,5	EB	

**Information:**

EB = EPDM, schwarz

1) = mit variablem Klemmbereich von 1,5 - 2,5mm

Toleranzen nach (DIN ISO 3302, Teil 2 M2F)

Irrtum vorbehalten

**Information:**

EB = EPDM, black

1) = with a variable clamping range of 1.5 – 2.5 mm

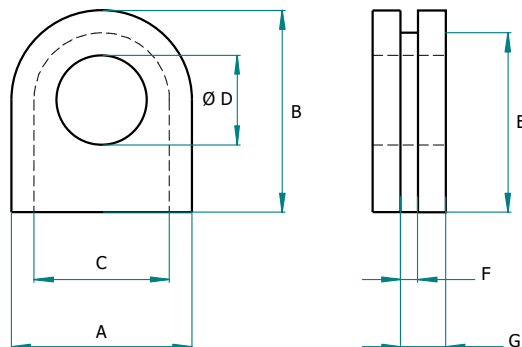
General measuring tolerances (DIN ISO 3302, section 2 M2F)

Errors excepted



# KABELDURCHFÜHRUNGEN U-FORM

## CABLE GROMMETS U-SHAPE



Artikel Nr. Part no.	Breite Width	Höhe Height	Aussparungsbreite Recess width	Kabel Ø Cable Ø	Aussparungshöhe Recess height	Spaltmaß Clearance	Einbautiefe Installation depth	Material Material	
	A	B	C	Ø D	E	F	G		
1059	13,8	13,8	10,5	7,0	12,0	1,5	3,5	EB	
1048 <sup>1)</sup>	13,8	13,8	10,5	7,0	12,0	1,5	3,5	EB	
1033 <sup>2)</sup>	19,0	19,0	13,8	9,3	16,3	2,0	4,5	EB	
1049 <sup>3)</sup>	19,0	19,0	13,8	9,3	16,3	2,0	4,5	EB	

**Information:**

EB = EPDM, schwarz

1) = mit vorgelochter Membran 1mm Ø. ; 2) = mit innenliegender Membran. ; 3) = mit vorgelochter Membran 2mm Ø.

Toleranzen nach (DIN ISO 3302, Teil 2 M2F)

**Information:**

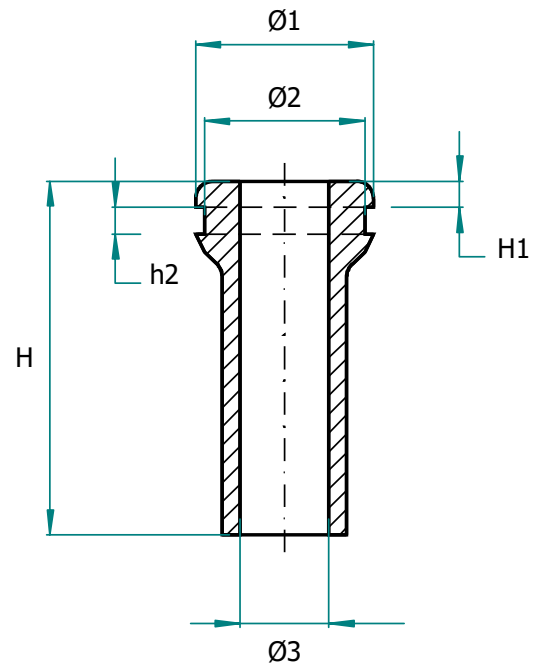
EB = EPDM, black

1) = Perforated membrane 1mm Ø ; 2) = With inner membrane. ; 3) = Perforated membrane 2mm Ø

General measuring tolerances (DIN ISO 3302, section 2 M2F)



## KNICKSCHUTZTÜLLEN BEND RELIEF GROMMETS



Artikel Nr. <i>Part no.</i>	Gesamt Ø <i>Total Ø</i>	Loch Ø <i>Hole Ø</i>	Kabel Ø <i>Cable Ø</i>	Bundhöhe <i>Collar height</i>	Spalt <i>Gap</i>	Gesamthöhe <i>Total height</i>	Material <i>Material</i>	
	Ø1	Ø2	Ø3	H1	h2	H		
0970	5,4	3,5	1,7	1,0	1,5	8,6	EB	
0998	6,8	5,0	3,0	2,1	2,0	18,0	EB	
1066	9,1	6,8	3,5	2,1	1,5	14,7	EB	

**Information:**

EB = EPDM, schwarz

Toleranzen nach (DIN ISO 3302, Teil 2 M2F)  
Irrtum vorbehalten

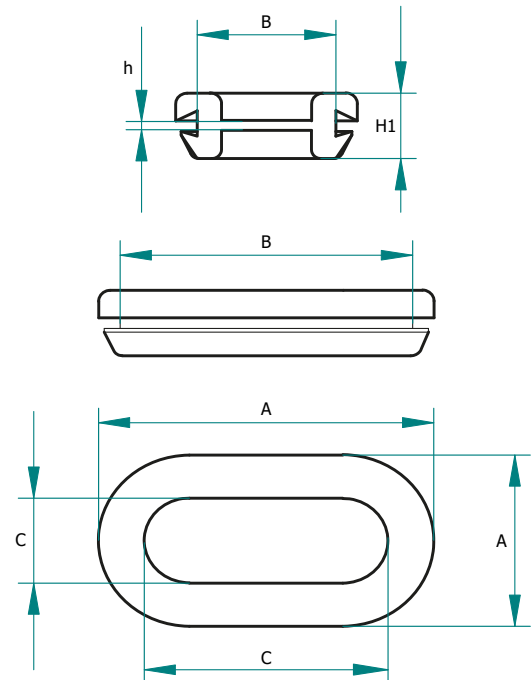
**Information:**

EB = EPDM, black

General measuring tolerances (DIN ISO 3302, section 2 M2F)  
Errors excepted



# LANGLOCHTÜLLE OBLONG GROMMET



Artikel Nr. <i>Part no.</i>	Außenmaße <i>Total dimensions</i>	Einbaumaße <i>Installation dimensions</i>	Innenmaße <i>Inner dimensions</i>	Klemmbereich <i>Gap</i>	Gesamthöhe <i>Total height</i>	Membrandicke <i>Membrane thickness</i>	Material <i>Material</i>	
	A	B	C	h	H1	M		
1097	29,0 x 16,0	25,0 x 12,0	21,0 x 8,0	1 - 2,5	6,0	0,8	EB	
1098	42,0 x 19,0	37,0 x 14,0	33,0 x 10,0	1 - 2,5	7,0	0,8	EB	
1099	58,0 x 24,0	50,0 x 16,0	46,0 x 12,0	1 - 2,5	9,0	1,0	EB	
1028 <sup>1)</sup>	35,0 x 17,0	30,0 x 12,0	26,6 x 8,3	2,8	6,3	1,0	EB	

**Information:**

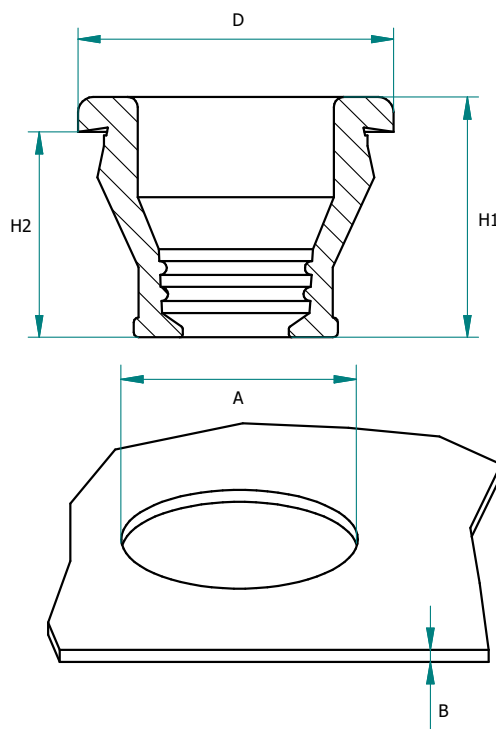
EB = EPDM, schwarz  
1) = mit aussenliegender Membran  
Toleranzen nach (DIN ISO 3302, Teil 2 M2F)  
Irrtum vorbehalten

**Information:**

EB = EPDM, black  
1) = with outer membrane  
General measuring tolerances (DIN ISO 3302, section 2 M2F)  
Errors excepted



SNAP<sup>®</sup> EASY TIGHT  
SNAP<sup>®</sup> EASY-TIGHT



Artikel Nr. Part no.	Nennmaß Nominal size	Kabel Ø Cable Ø	Loch Ø Panel hole size	Wandstärke Panel thickness	Gesamt Ø Total Ø	Gesamthöhe Total height	Einbautiefe Installation depth	Material Material	
			A	B	D	H1	H2		
1490	M 10	1,5 - 4,0	10,5	1 - 4,0	14,0	18,5	15,0	EB	
1491	M 12	4 - 6	12,5	1 - 4,0	16,0	20,5	17,0	EB	
1492	M 16	6 - 9	16,5	1 - 4,0	21,0	22,0	18,5	EB	
1493	M 20	9 - 12	20,5	1 - 4,0	25,5	22,0	18,5	EB	
1494	M 25	12 - 16	25,5	1 - 4,0	31,5	24,0	20,5	EB	
1495	M 32	16 - 20	32,5	1 - 6,0	38,0	27,5	23,5	EB	
1496	M 40	20 - 26	40,5	1 - 6,0	46,5	28,5	24,5	EB	

**Information:**

EB = EPDM, schwarz

Toleranzen nach (DIN ISO 3302, Teil 2 M2F)  
Irrtum vorbehalten

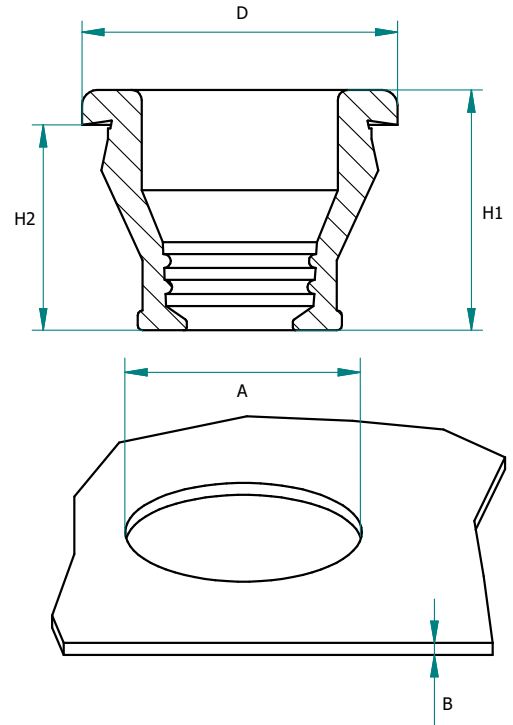
**Information:**

EB = EPDM, black

General measuring tolerances (DIN ISO 3302, section 2 M2F)  
Errors excepted



SNAP<sup>®</sup> EASY TIGHT  
SNAP<sup>®</sup> EASY-TIGHT



Artikel Nr. Part no.	Nennmaß Nominal size	Kabel Ø Cable Ø	Loch Ø Panel hole size	Wandstärke Panel thickness	Gesamt Ø Total Ø	Gesamthöhe Total height	Einbautiefe Installation depth	Material Material	
			A	B	D	H1	H2		
1497	M 50	26 - 35	50,5	1 - 6,0	58,0	30,0	25,5	EB	

**Information:**

EB = EPDM, schwarz

Toleranzen nach (DIN ISO 3302, Teil 2 M2F)  
Irrtum vorbehalten

**Information:**

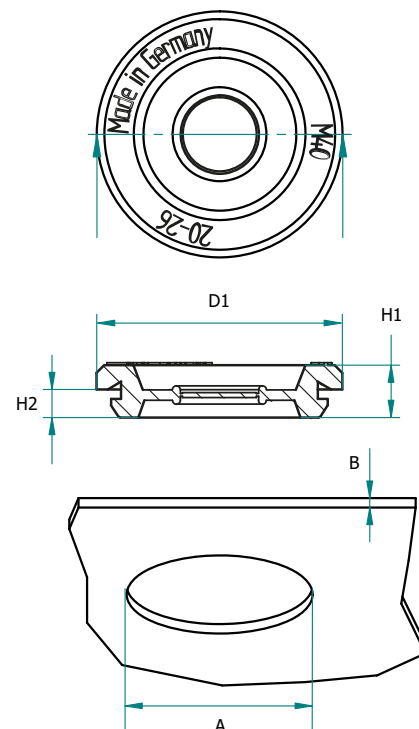
EB = EPDM, black

General measuring tolerances (DIN ISO 3302, section 2 M2F)  
Errors excepted





SNAP<sup>®</sup> METRIC LIGHT  
SNAP<sup>®</sup> METRIC LIGHT



Artikel Nr. <i>Part no.</i>	Nennmaß <i>Nominal size</i>	Kabel Ø <i>Cable Ø</i>	Loch Ø <i>Panel hole size</i>	Wandstärke <i>Panel thickness</i>	Gesamt Ø <i>Total Ø</i>	Innen Ø <i>Inner Ø</i>	Gesamthöhe <i>Total height</i>	Einbautiefe <i>Installation depth</i>	Material <i>Material</i>	
			A	B	Ø D1	Ø D2	H1	H2		
1600	M 12	3 - 5	12,5	1 - 2,5	18,5	-	7,5	2,5	EB, SB	
1601	M 16	5 - 7	16,5	1 - 2,5	22,5	-	7,5	2,5	EB, SB	
1602	M 20	7 - 10	20,5	1 - 2,5	26,5	-	7,5	2,5	EB, SB	
1603	M 25	10 - 14	25,5	1 - 2,5	31,5	-	7,5	2,5	EB, SB	
1604	M 32	14 - 20	32,5	1 - 2,5	39,0	-	9,0	3,0	EB, SB	
1605	M 40	20 - 26	40,5	1 - 3,5	49,0	-	10,5	3,5	EB, SB	
1606	M 50	26 - 35	50,5	1 - 3,5	58,5	-	11,0	4,0	EB, SB	

**Information:**

EB = EPDM, schwarz ; SB = Silikon, schwarz

Toleranzen nach (DIN ISO 3302, Teil 2 M2F)  
Irrtum vorbehalten

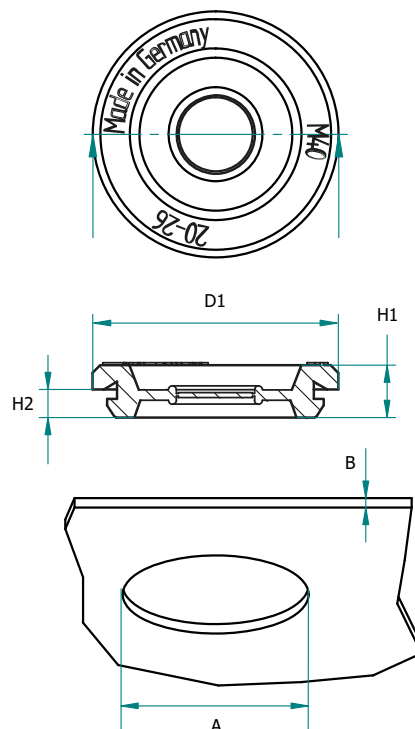
**Information:**

EB = EPDM, black ; SB = Silicon, black

General measuring tolerances (DIN ISO 3302, section 2 M2F)  
Errors excepted



SNAP<sup>®</sup> METRIC LIGHT  
SNAP<sup>®</sup> METRIC LIGHT



Artikel Nr. <i>Part no.</i>	Nennmaß <i>Nominal size</i>	Kabel Ø <i>Cable Ø</i>	Loch Ø <i>Panel hole size</i>	Wandstärke <i>Panel thickness</i>	Gesamt Ø <i>Total Ø</i>	Innen Ø <i>Inner Ø</i>	Gesamthöhe <i>Total height</i>	Einbautiefe <i>Installation depth</i>	Material <i>Material</i>
			A	B	Ø D1	Ø D2	H1	H2	
1607	M 63	35 - 40	63,5	1 - 3,5	71,5	-	11,5	4,5	EB, SB



**Information:**

EB = EPDM, schwarz ; SB = Silikon, schwarz

Toleranzen nach (DIN ISO 3302, Teil 2 M2F)  
Irrtum vorbehalten

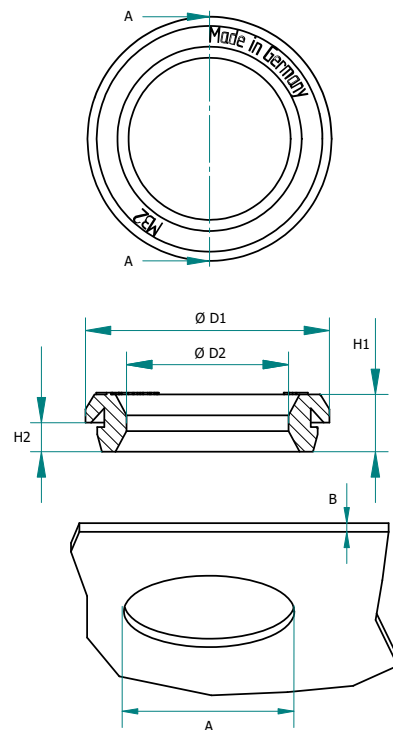
**Information:**

EB = EPDM, black ; SB = Silicon, black

General measuring tolerances (DIN ISO 3302, section 2 M2F)  
Errors excepted



SNAP<sup>®</sup> METRIC LIGHT OPEN  
SNAP<sup>®</sup> METRIC LIGHT OPEN



Artikel Nr. <i>Part no.</i>	Nennmaß <i>Nominal size</i>	Kabel Ø <i>Cable Ø</i>	Loch Ø <i>Panel hole size</i>	Wandstärke <i>Panel thickness</i>	Gesamt Ø <i>Total Ø</i>	Innen Ø <i>Inner Ø</i>	Gesamthöhe <i>Total height</i>	Einbautiefe <i>Installation depth</i>	Material <i>Material</i>	
			A	B	Ø D1	Ø D2	H1	H2		
3000	M 12	0 - 9,0	12,5	1 - 2,5	18,5	9,0	7,5	2,5	EB	
3001	M 16	0 - 12,0	16,5	1 - 2,5	22,5	12,0	7,5	2,5	EB	
3002	M 20	0 - 16,0	20,5	1 - 2,5	26,5	16,0	7,5	2,5	EB	
3003	M 25	0 - 20,0	25,5	1 - 2,5	31,5	20,0	7,5	2,5	EB	
3004	M 32	0 - 25,5	32,5	1 - 2,5	39,0	25,5	9,0	3,0	EB	
3005	M 40	0 - 32,0	40,5	1 - 3,5	49,0	32,0	10,5	3,5	EB	
3006	M 50	0 - 41,0	50,5	1 - 3,5	58,5	41,0	11,0	4,0	EB	

**Information:**

EB = EPDM, schwarz

Toleranzen nach (DIN ISO 3302, Teil 2 M2F)  
Irrtum vorbehalten

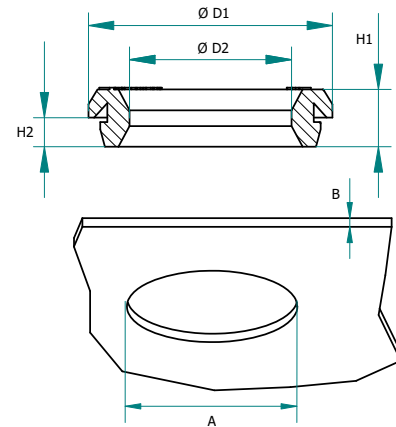
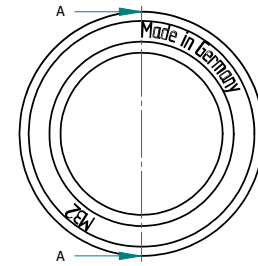
**Information:**

EB = EPDM, black

General measuring tolerances (DIN ISO 3302, section 2 M2F)  
Errors excepted



SNAP<sup>®</sup> METRIC LIGHT OPEN  
SNAP<sup>®</sup> METRIC LIGHT OPEN



Artikel Nr. <i>Part no.</i>	Nennmaß <i>Nominal size</i>	Kabel Ø <i>Cable Ø</i>	Loch Ø <i>Panel hole size</i>	Wandstärke <i>Panel thickness</i>	Gesamt Ø <i>Total Ø</i>	Innen Ø <i>Inner Ø</i>	Gesamthöhe <i>Total height</i>	Einbautiefe <i>Installation depth</i>	Material <i>Material</i>
			A	B	Ø D1	Ø D2	H1	H2	EB
3007	M 63	0 - 53,0	63,5	1 - 3,5	71,5	53,0	11,5	4,5	EB



**Information:**

EB = EPDM, schwarz

Toleranzen nach (DIN ISO 3302, Teil 2 M2F)  
Irrtum vorbehalten

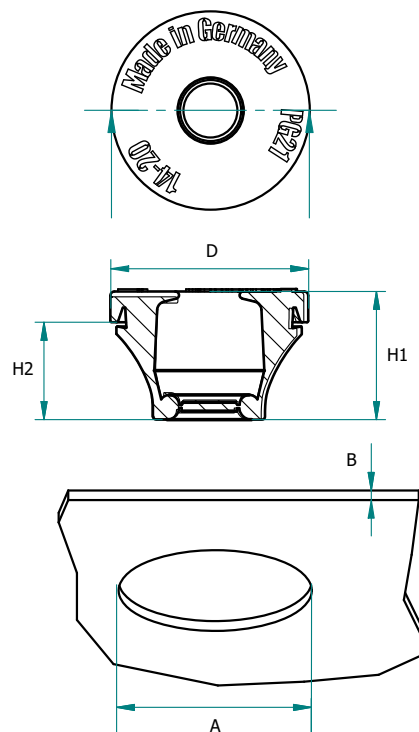
**Information:**

EB = EPDM, black

General measuring tolerances (DIN ISO 3302, section 2 M2F)  
Errors excepted



SNAP® PG  
SNAP® PG



Artikel Nr. Part no.	Nennmaß Nominal size	Kabel Ø Cable Ø	Loch Ø Panel hole size	Wandstärke Panel thickness	Gesamt Ø Total Ø	Gesamthöhe Total height		Material Material	
			<b>A</b>	<b>B</b>	<b>D</b>	<b>H1</b>	<b>H2</b>		
1102	PG 11	7 - 10	19,0	1,0 - 4,0	24,0	19,5	13,5	EG, EB, CB, SB	
1103	PG 16	10 - 14	23,0	1,0 - 4,0	28,0	22,5	16,0	EG, EB, CB, SB	
1104	PG 21	14 - 20	29,0	1,0 - 4,0	35,0	24,5	17,5	EG, EB, CB, SB	
1105	PG 29	20 - 26	38,0	1,0 - 4,0	46,0	30,0	21,0	EG, EB, CB, SB	
1106	PG 36	26 - 35	48,0	1,0 - 4,0	58,0	35,0	25,0	EG, EB, CB, SB	
1200	PG 7 / M 12	3 - 5	12,5	1,0 - 4,0	18,5	17,0	10,5	EG, EB, CB, SB	
1201	PG 9 / M 16	5 - 7	16,5	1,0 - 4,0	21,5	19,0	12,0	EG, EB, CB, SB	

**Information:**

EG = EPDM, grau ; EB = EPDM, schwarz ; CB = CR, schwarz ; SB = Silikon, schwarz

IP66 / IP67, fachgerechte Montage vorausgesetzt  
Toleranzen nach (DIN ISO 3302, Teil 2 M2F)

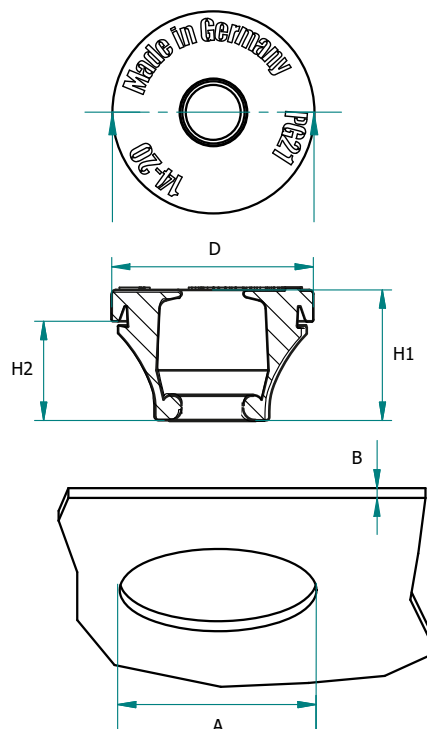
**Information:**

EG = EPDM, gray ; EB = EPDM, black ; CB = CR, black ; SB = Silicon, black

IP66 / IP67  
General measuring tolerances (DIN ISO 3302, section 2 M2F)



SNAP<sup>®</sup> PG OPEN  
SNAP<sup>®</sup> PG OPEN



Artikel Nr. Part no.	Nennmaß Nominal size	Kabel Ø Cable Ø	Loch Ø Panel hole size	Wandstärke Panel thickness	Gesamt Ø Total Ø	Gesamthöhe Total height		Material Material	
			A	B	D	H1	H2		
1112	PG 11	7 - 10	19,0	1,0 - 4,0	24,0	19,5	13,5	EG, EB, SB	
1113	PG 16	10 - 14	23,0	1,0 - 4,0	28,0	22,5	16,0	EG, EB, SB	
1114	PG 21	14 - 20	29,0	1,0 - 4,0	35,0	24,5	17,5	EG, EB, SB	
1115	PG 29	20 - 26	38,0	1,0 - 4,0	46,0	30,0	21,0	EG, EB, SB	
1116	PG 36	26 - 35	48,0	1,0 - 4,0	58,0	35,0	25,0	EG, EB, SB	
1210 <sup>1)</sup>	PG 7 / M12	3 - 5	12,5	1,0 - 4,0	18,5	17,0	10,5	EG, EB, SB	
1211	PG 9 / M 16	5 - 7	16,5	1,0 - 4,0	21,5	19,0	12,0	EG, EB, SB	

**Information:**

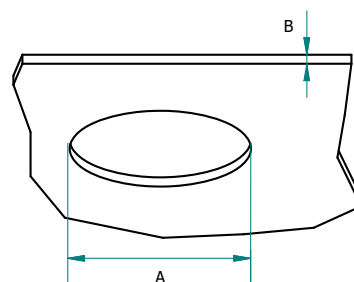
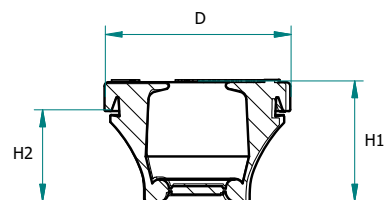
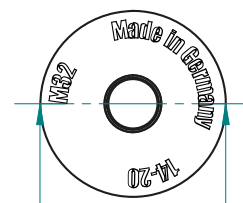
EG = EPDM, grau ; EB = EPDM, schwarz ; SB = Silikon, schwarz  
1) = IP66 / IP67, fachgerechte Montage vorausgesetzt  
Toleranzen nach (DIN ISO 3302, Teil 2 M2F)  
Irrtum vorbehalten

**Information:**

EG = EPDM, gray ; EB = EPDM, black ; SB = Silicon, black  
1) = IP66 / IP67  
General measuring tolerances (DIN ISO 3302, section 2 M2F)  
Errors excepted



SNAP<sup>®</sup> METRIC  
SNAP<sup>®</sup> METRIC



Artikel Nr. Part no.	Nennmaß Nominal size	Kabel Ø Cable Ø	Loch Ø Panel hole size	Wandstärke Panel thickness	Gesamt Ø Total Ø	Gesamthöhe Total height		Material Material	
			A	B	D	H1	H2		
1200	M12 / PG 7	3 - 5	12,5	1,0 - 4,0	18,5	17,0	10,5	EG, EB, CB, SB	
1201	M 16 / PG 9	5 - 7	16,5	1,0 - 4,0	21,5	19,0	12,0	EG, EB, CB, SB	
1202	M 20	7 - 10	20,5	1,0 - 4,0	25,5	20,5	14,0	EG, EB, CB, SB	
1203	M 25	10 - 14	25,5	1,0 - 4,0	30,5	23,0	15,5	EG, EB, CB, SB	
1204	M 32	14 - 20	32,5	1,0 - 4,0	38,5	25,0	18,0	EG, EB, CB, SB	
1205	M 40	20 - 26	40,5	1,0 - 4,0	49,0	32,0	22,0	EG, EB, CB, SB	
1206	M 50	26 - 35	50,5	1,0 - 4,0	60,5	37,5	25,5	EG, EB, CB, SB	

**Information:**

EG = EPDM, grau ; EB = EPDM, schwarz ; CB = CR, schwarz ; SB = Silikon, schwarz

IP66 / IP67, fachgerechte Montage vorausgesetzt  
Toleranzen nach (DIN ISO 3302, Teil 2 M2F)

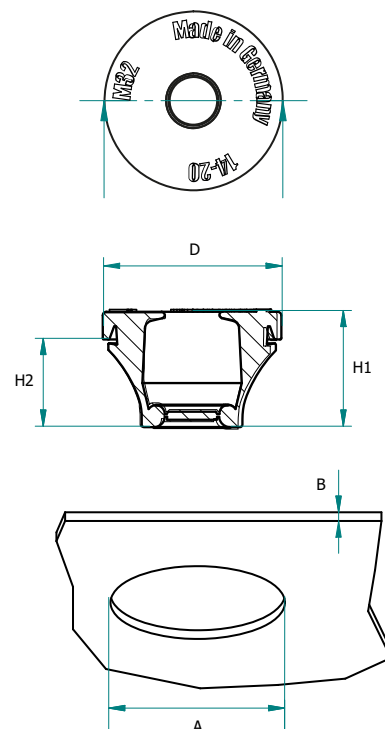
**Information:**

EG = EPDM, gray ; EB = EPDM, black ; CB = CR, black ; SB = Silicon, black

IP66 / IP67  
General measuring tolerances (DIN ISO 3302, section 2 M2F)



SNAP<sup>®</sup> METRIC OPEN  
SNAP<sup>®</sup> METRIC OPEN



Artikel Nr. Part no.	Nennmaß Nominal size	Kabel Ø Cable Ø	Loch Ø Panel hole size	Wandstärke Panel thickness	Gesamt Ø Total Ø	Gesamthöhe Total height		Material Material	
			A	B		D	H1		
1210 <sup>1)</sup>	M12 / PG 7	3 - 5	12,5	1,0 - 4,0	18,5	17,0	10,5	EG, EB, SB	
1211	M 16 / PG 9	5 - 7	16,5	1,0 - 4,0	21,5	19,0	12,0	EG, EB, SB	
1212	M 20	7 - 10	20,5	1,0 - 4,0	25,5	20,5	14,0	EG, EB, SB	
1213	M 25	10 - 14	25,5	1,0 - 4,0	30,5	23,0	15,5	EG, EB, SB	
1214	M 32	14 - 20	32,5	1,0 - 4,0	38,5	25,0	18,0	EG, EB, SB	
1215	M 40	20 - 26	40,5	1,0 - 4,0	49,0	32,0	22,0	EG, EB, SB	
1216	M 50	26 - 35	50,5	1,0 - 4,0	60,5	37,5	25,5	EG, EB, SB	

**Information:**

EG = EPDM, grau ; EB = EPDM, schwarz ; SB = Silikon, schwarz  
 1) = IP66 / IP67, fachgerechte Montage vorausgesetzt  
 Toleranzen nach (DIN ISO 3302, Teil 2 M2F)  
 Irrtum vorbehalten

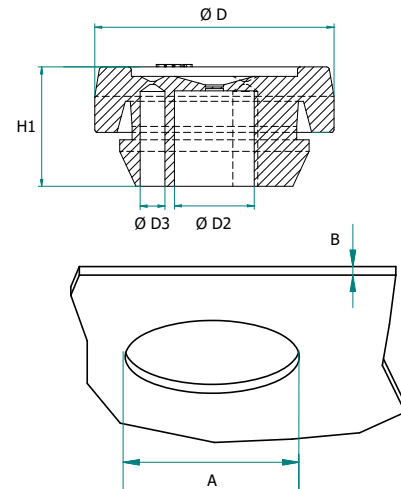
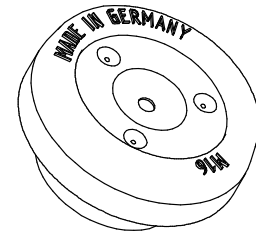
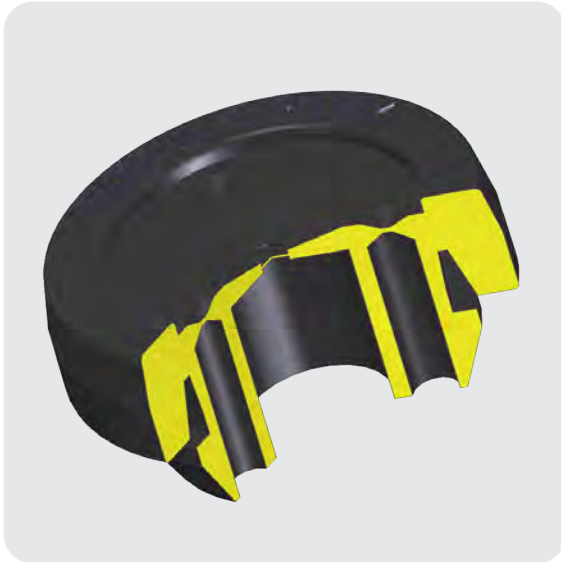
**Information:**

EG = EPDM, gray ; EB = EPDM, black ; SB = Silicon, black  
 1) = IP66 / IP67  
 General measuring tolerances (DIN ISO 3302, section 2 M2F)  
 Errors excepted





SNAP<sup>®</sup> MULTIGATE - M16  
SNAP<sup>®</sup> MULTIGATE - M16



Artikel Nr. Part no.	Nennmaß Nominal size	Loch Ø Panel hole size	Wandstärke Panel thickness	Gesamt Ø Total Ø	Innen Ø Inner Ø	Innen Ø / (Kabel Ø) Inner Ø / (Cable Ø)	Gesamthöhe Total height	Innen Ø Inner Ø	Innen Ø / (Kabel Ø) Inner Ø / (Cable Ø)	Material Material
		<b>A</b>	<b>B</b>	<b>D</b>	<b>Ø D2</b>		<b>H1</b>	<b>Ø D3</b>		
<b>3100</b>	M 16	16,5	1 - 4,0	24,0	1 x 8,0	1 x 8,0	12,0	3 x 2,5	3 x 2,5	<b>EB</b>



**Information:**

EB = EPDM, schwarz

Toleranzen nach (DIN ISO 3302, Teil 2 M2F)  
Irrtum vorbehalten

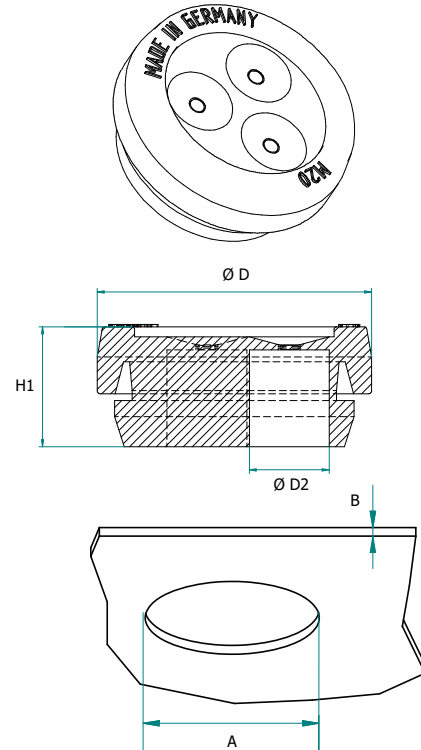
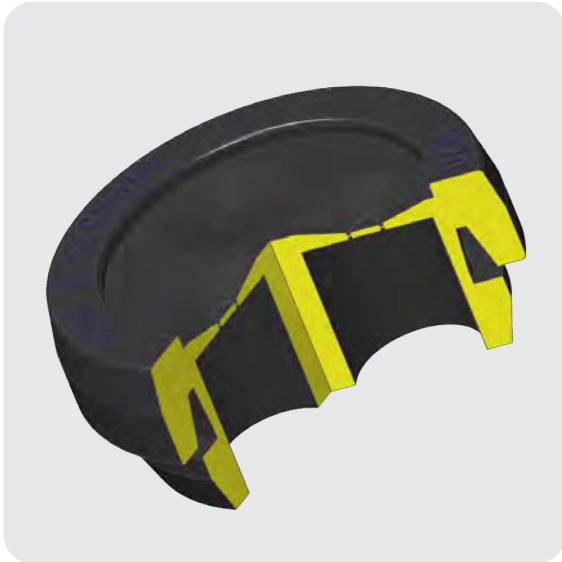
**Information:**

EB = EPDM, black

General measuring tolerances (DIN ISO 3302, section 2 M2F)  
Errors excepted



SNAP<sup>®</sup> MULTIGATE - M20  
SNAP<sup>®</sup> MULTIGATE - M20



Artikel Nr. Part no.	Nennmaß Nominal size	Loch Ø Panel hole size	Wandstärke Panel thickness	Gesamt Ø Total Ø	Innen Ø / (Kabel Ø) Inner Ø / (Cable Ø)	Gesamthöhe Total height	Innen Ø / (Kabel Ø) Inner Ø / (Cable Ø)	Material Material
		<b>A</b>	<b>B</b>	<b>D</b>		<b>H1</b>		
3101	M 20	20,5	1 - 4,0	27,5	3 x 8,0	12,0	-	EB

**Information:**

EB = EPDM, schwarz

Toleranzen nach (DIN ISO 3302, Teil 2 M2F)  
Irrtum vorbehalten

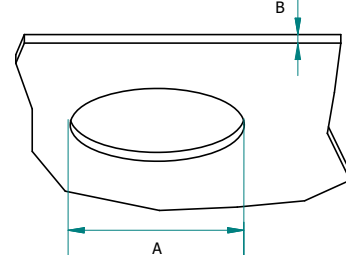
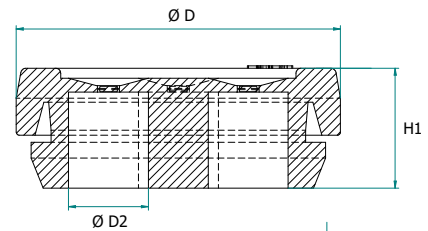
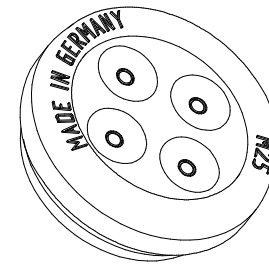
**Information:**

EB = EPDM, black

General measuring tolerances (DIN ISO 3302, section 2 M2F)  
Errors excepted



SNAP<sup>®</sup> MULTIGATE - M25  
SNAP<sup>®</sup> MULTIGATE - M25



Artikel Nr. Part no.	Nennmaß Nominal size	Loch Ø Panel hole size	Wandstärke Panel thickness	Gesamt Ø Total Ø	Innen Ø / (Kabel Ø) Inner Ø / (Cable Ø)	Gesamthöhe Total height	Innen Ø / (Kabel Ø) Inner Ø / (Cable Ø)	Material Material
		<b>A</b>	<b>B</b>	<b>D</b>		<b>H1</b>		
3102	M 25	25,5	1 - 4,0	32,5	4 x 8,0	12,0	-	EB



**Information:**

EB = EPDM, schwarz

Toleranzen nach (DIN ISO 3302, Teil 2 M2F)  
Irrtum vorbehalten

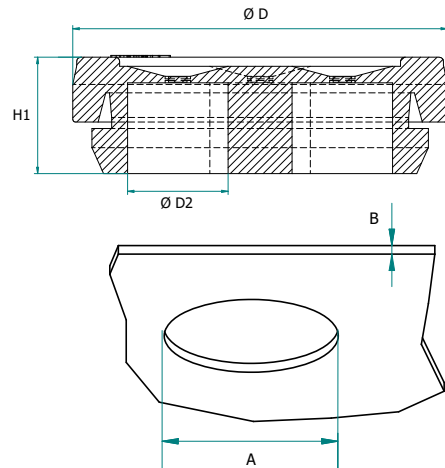
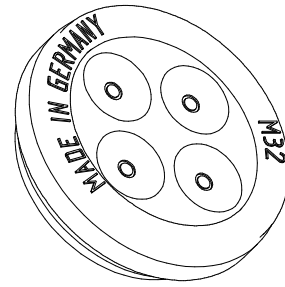
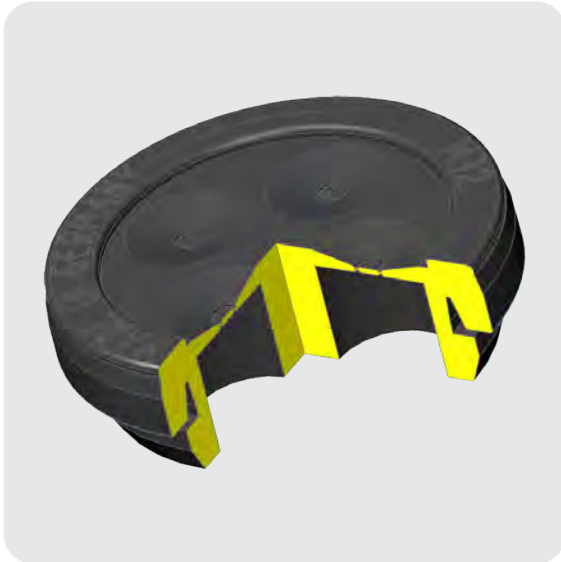
**Information:**

EB = EPDM, black

General measuring tolerances (DIN ISO 3302, section 2 M2F)  
Errors excepted



SNAP<sup>®</sup> MULTIGATE - M32  
SNAP<sup>®</sup> MULTIGATE - M32



Artikel Nr. Part no.	Nennmaß Nominal size	Loch Ø Panel hole size	Wandstärke Panel thickness	Gesamt Ø Total Ø	Innen Ø / (Kabel Ø) Inner Ø / (Cable Ø)	Gesamthöhe Total height	Innen Ø / (Kabel Ø) Inner Ø / (Cable Ø)	Material Material
		<b>A</b>	<b>B</b>	<b>D</b>		<b>H1</b>		
3103	M 32	32,5	1 - 4,0	41	4 x 11,0	12,75	-	EB



**Information:**

EB = EPDM, schwarz

Toleranzen nach (DIN ISO 3302, Teil 2 M2F)  
Irrtum vorbehalten

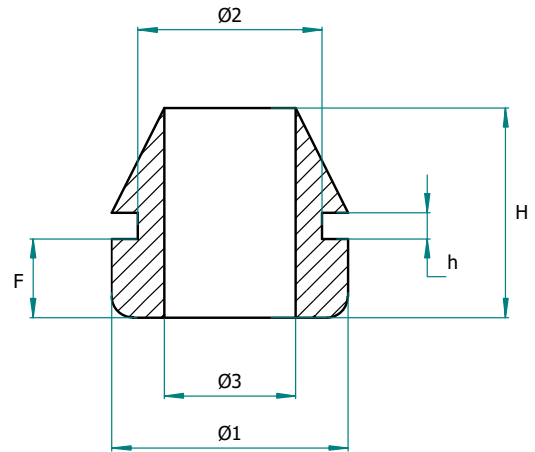
**Information:**

EB = EPDM, black

General measuring tolerances (DIN ISO 3302, section 2 M2F)  
Errors excepted



## KABELDURCHFÜHRUNGEN SONDERFORMEN CABLE GROMMETS SPECIAL FORM



Artikel Nr. <i>Part no.</i>	Gesamt Ø <i>Total Ø</i>	Loch Ø <i>Hole Ø</i>	Kabel Ø <i>Cable Ø</i>	Spalt <i>Gap</i>	Gesamthöhe <i>Total height</i>	Kopfhöhe <i>Head height</i>	Material <i>Material</i>	
	Ø1	Ø2	Ø3	h	H	F		
0996	8,0	5,0	2,4	1,5	6,0	1,5	EB	
1002	10,0	7,0	5,0	1,5	6,7	1,5	EB	
1003	11,7	8,5	6,5	1,5	7,0	1,5	EB	
1089	11,7	9,8	6,8	1,0	8,2	3,5	EB	

**Information:**

EB = EPDM, schwarz

Toleranzen nach (DIN ISO 3302, Teil 2 M2F)  
Irrtum vorbehalten

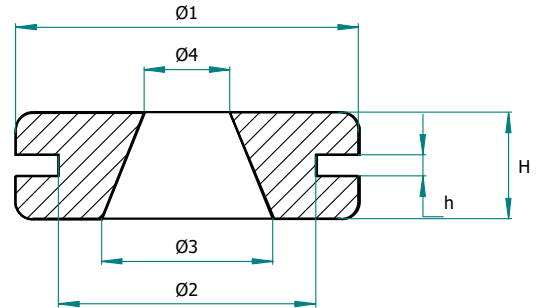
**Information:**



EB = EPDM, black

General measuring tolerances (DIN ISO 3302, section 2 M2F)  
Errors excepted



## KABELDURCHFÜHRUNGEN MIT REDUZIERTEM DURCHGANG CABLE GROMMETS SPECIAL FORM



Artikel Nr. <i>Part no.</i>	Gesamt Ø <i>Total Ø</i>	Loch Ø <i>Hole Ø</i>	Ø3 <i>Ø3</i>	Ø4 <i>Ø4</i>	Gesamthöhe <i>Total height</i>	Spalt <i>Gap</i>	Material <i>Material</i>	
	Ø1	Ø2	Ø3	Ø4	H	h		
1044	15,0	11,0	8,0	7,0	7,0	2,0	EB	
1062	15,7	10,7	10,7	4,3	5,0	1,5	EB	

**Information:**

EB = EPDM, schwarz

Toleranzen nach (DIN ISO 3302, Teil 2 M2F)  
Irrtum vorbehalten

**Information:**

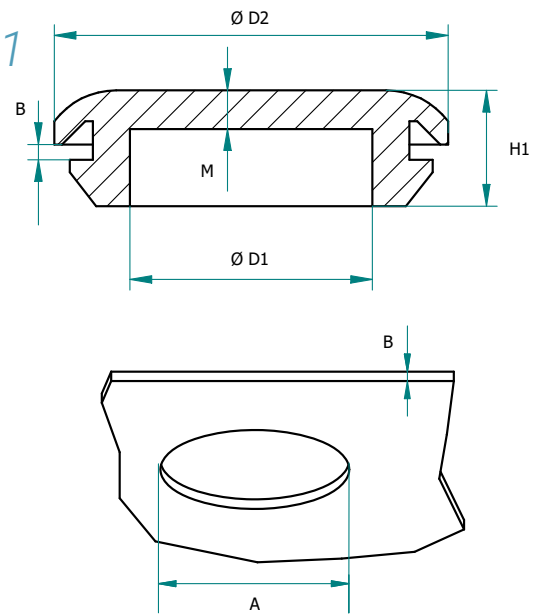
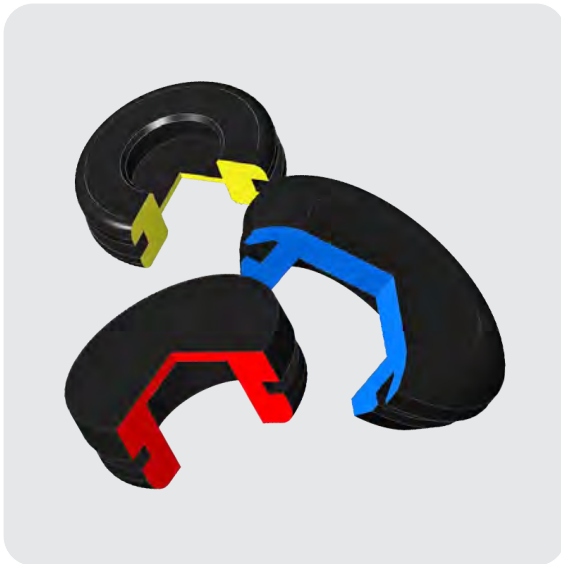
EB = EPDM, black

General measuring tolerances (DIN ISO 3302, section 2 M2F)  
Errors excepted



# VERSCHLUSSTÜLLEN - FORM 1

## SEALING (BLANKING) PLUG - SHAPE 1



Artikel Nr. Part no.	Nennmaß Nominal size	Loch Ø Panel hole size	Wandstärke Panel thickness	Innen Ø Inner Ø	Gesamt Ø Total Ø	Gesamthöhe Total height	Membrandicke Membrane thickness	Material Material	
		A	B	Ø D1	Ø D2	H1	M		
1550	M 10	10,5	1 - 2,5	6,0	14,5	7,3	2,0	EB	
1551	M 12	12,5	1 - 2,5	8,0	17,5	7,3	2,0	EB	
1552	M 16	16,5	1 - 2,5	12,0	21,0	7,5	2,0	EB	
1553	M 20	20,5	1 - 2,5	15,5	26,0	7,7	2,5	EB	
1554	M 25	25,5	1 - 2,5	19,5	32,0	7,7	3,0	EB	
1555	M 32	32,5	1 - 2,5	24,5	39,0	7,5	3,0	EB	

**Information:**

EB = EPDM, schwarz

Toleranzen nach (DIN ISO 3302, Teil 2 M2F)  
Irrtum vorbehalten

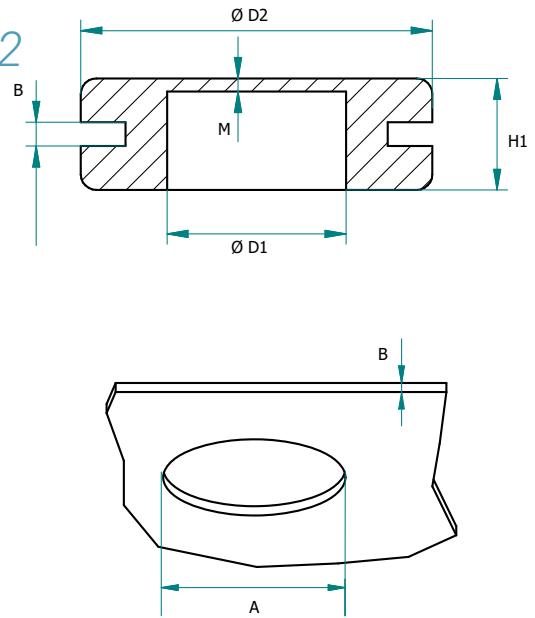
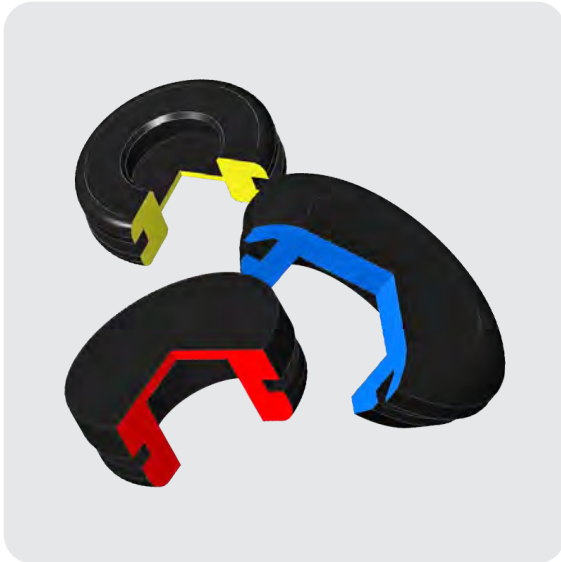
**Information:**

EB = EPDM, black

General measuring tolerances (DIN ISO 3302, section 2 M2F)  
Errors excepted



VERSCHLUSSTÜLLEN - FORM 2  
SEALING (BLANKING) PLUG - SHAPE 2



Artikel Nr. Part no.	Nennmaß Nominal size	Loch Ø Panel hole size	Wandstärke Panel thickness	Innen Ø Inner Ø	Gesamt Ø Total Ø	Gesamthöhe Total height	Membrandicke Membrane thickness	Material Material	
		A	B	Ø D1	Ø D2	H1	M		
1052	-	10,0	3,0	5,9	13,0	7,2	0,9	EB	
1074	-	10,0	1,5	7,8	15,0	8,5	2,0	EB	
1018	-	13,8	1,2	9,7	17,5	7,0	0,1	EB	
1070	-	16,0	2,8	12,0	21,0	6,6	1,4	EB	
1061	-	18,2	2,0	13,7	23,7	6,5	0,7	EB	

**Information:**

EB = EPDM, schwarz

Toleranzen nach (DIN ISO 3302, Teil 2 M2F)  
Irrtum vorbehalten

**Information:**

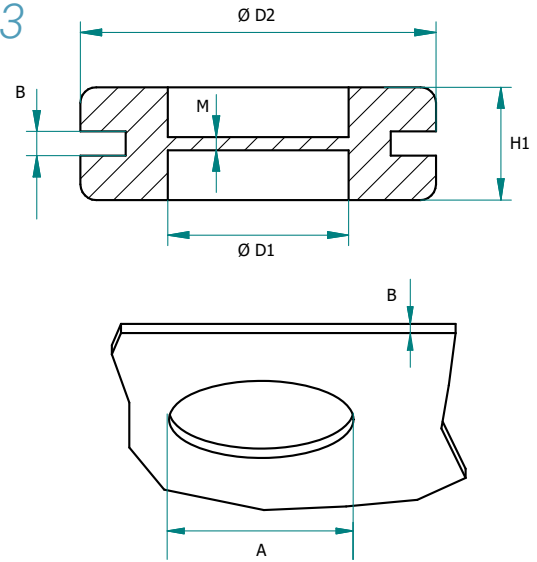
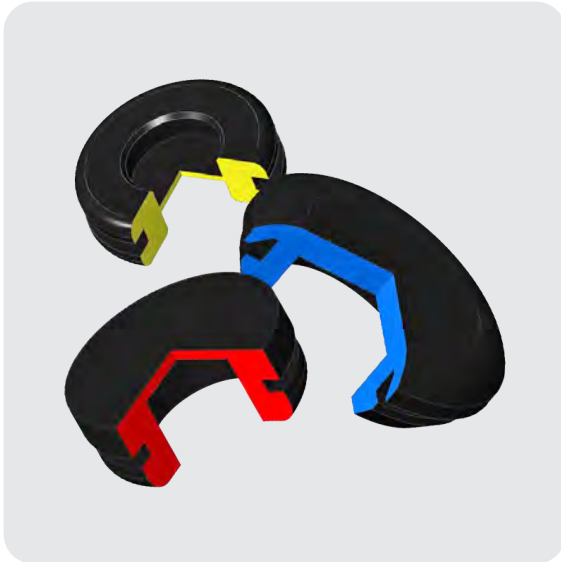
EB = EPDM, black

General measuring tolerances (DIN ISO 3302, section 2 M2F)  
Errors excepted





VERSCHLUSSTÜLLEN - FORM 3  
SEALING (BLANKING) PLUG - SHAPE 3



Artikel Nr. Part no.	Nennmaß Nominal size	Loch Ø Panel hole size	Wandstärke Panel thickness	Innen Ø Inner Ø	Gesamt Ø Total Ø	Gesamthöhe Total height	Membrandicke Membrane thickness	Material Material	
		A	B	Ø D1	Ø D2	H1	M		
1060	-	13,0	1,5	9,5	17,3	8,0	0,6	EB	
1032	-	13,7	2,0	8,8	18,8	7,0	1,0	EB	
1042	-	13,0	2,7	9,0	20,8	9,0	0,8	EB	
1034	-	18,5	1,7	11,0	23,0	7,0	0,8	EB	

**Information:**

EB = EPDM, schwarz

Toleranzen nach (DIN ISO 3302, Teil 2 M2F)  
Irrtum vorbehalten

**Information:**

EB = EPDM, black

General measuring tolerances (DIN ISO 3302, section 2 M2F)  
Errors excepted





**A. Vogt GmbH & Co. KG**

Weberstraße 7

D - 59757 Arnsberg

Germany

Fon +49 (2932) 9636-0

Fax +49 (2932) 9636-60

Mail [info@gummivogt.de](mailto:info@gummivogt.de)